

## GLWW18W - Elipta Lumimax Recessed Light



### Installation notes

Ensure mains supply is isolated prior to installation of this product.

Provide 300mm depth of shingle drainage below the up light.

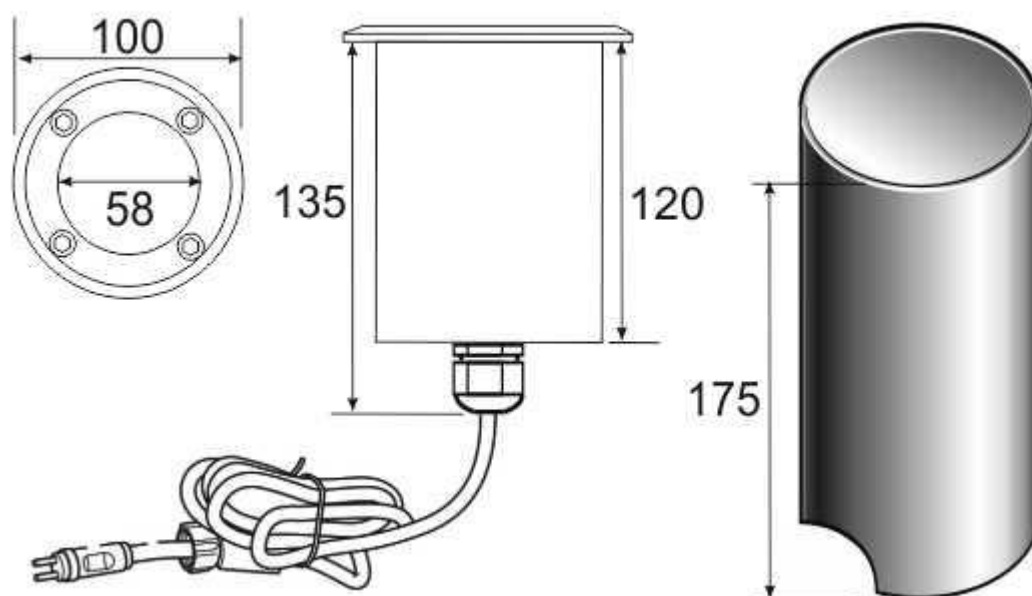
Do not use in waterlogged ground.

Refer to the instruction manual for further guidance.

**Note** – This product must be installed by a qualified electrician.

Part code	GLWW18W
Diffuser	Frosted
Dimensions (mm)	175x100
Cut-out dimensions (mm)	88
Cable length (mm)	5000
Construction	316 Stainless Steel top/Aluminium body
Finish	Stainless Steel
Class	Class III
IP rating	IP68
Wattage	23W CREE LED's
Lumen output	650lm
CCT	3000K
Beam angle	30°
Lamp included	Yes, non-replaceable
Dimmable	No
Input voltage	12V AC
Net weight (g)	1555
Gross weight (g)	1693
Warranty	2 Years
Manufactured in accordance with	BS EN 60598
Origin of manufacture	PRC





## 2 YEAR WARRANTY

**Exclusions:** Damage by machinery, animals or the use of incorrect cleaning materials. Corrosion due to exposure to salt or chlorine. Damage due to incorrect installation practices. Responsibility for 3rd party cost; indirect or consequential loss