

E4135M – Elipta Screw-on Tree Mount Micro spotlight



Installation notes

Ensure mains supply is isolated prior to installation of this product.

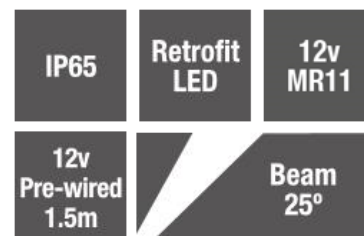
Unscrew the bezel and insert lamp. Apply small amount of grease to thread and screw back on to the body of the light. Screw the spike into the light and place the luminaire in desired location.

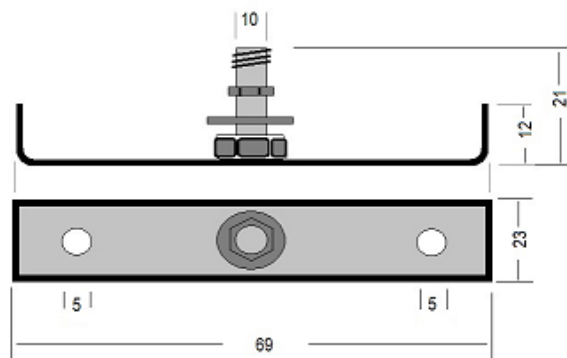
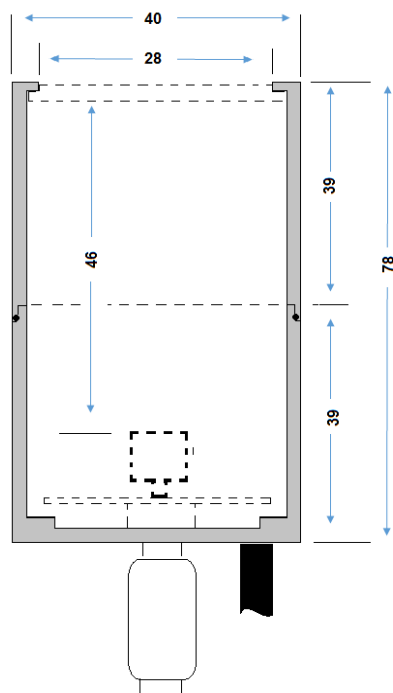
Supplied with 1.5 metre 2 core rubber cable. Order T9962 cable joint kit for connection of 12v model to low voltage cable from a garden lighting transformer. Wire spike spotlights to transformer with 1.5mm² ground burial 2 core low voltage cable available in 50m (T9918) or 25m (T9919) packs: use T9912 2.5mm² cable for longer runs.

Refer to the instruction manual for further guidance.

Note – This product must be installed by a qualified electrician.

Part code	E4135M
Diffuser	Clear
Dimensions (mm)	Body – 78x40
Cable length (mm)	1500
Construction	Aluminium
Finish	Matt Black
Class	Class III
IP rating	IP65
Maximum wattage	LED - 10W
Lamp base	MR11
Lamp included	No
Dimmable	Dependant on lamp
Input voltage	12V DC
Net weight (g)	279
Gross weight (g)	313
Warranty	2 Years
Manufactured in accordance with	BS EN 60598
Origin of manufacture	PRC





Accessories		
E4011	Glare Louvre	35mm Honeycomb provides glare protection
T9962	Cable joint kit	To make connection to extension cable or transformer
T9963	Cable splice kit	Used to connect two lights to a single cable
T9966	In-line joint kit	IP68 connector where a joint box is not required
T2524	Transformer	50va Ground burial transformer
T2534	Transformer	100va Ground burial transformer
T9502	Transformer	20va surface-mount transformer
T9504	Transformer	40va surface-mount transformer
T9510	Transformer	100va surface-mount transformer
T9911	Cable	2 core ground burial cable 4mm ² 25m reel
T9912	Cable	2 core ground burial cable 2.5mm ² 50m reel
T9913	Cable	2 core ground burial cable 2.5mm ² 25m reel

2 YEAR WARRANTY

Powder Coated Aluminium Body & Fitting

Exclusions: Damage by machinery, animals or the use of incorrect cleaning materials. Corrosion due to exposure to salt or chlorine. Damage due to incorrect installation practices. Responsibility for 3rd party cost; indirect or consequential loss.

2 YEAR WARRANTY

Internal wiring & lampholder

Exclusions: Damage due to incorrect lamp fitting or lamps above specification. Responsibility for 3rd party cost; indirect or consequential loss