

EG3261R - Elipta Nightstar 11 Eye



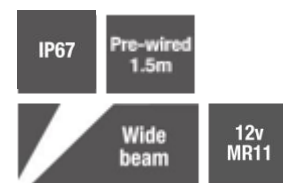
Installation notes

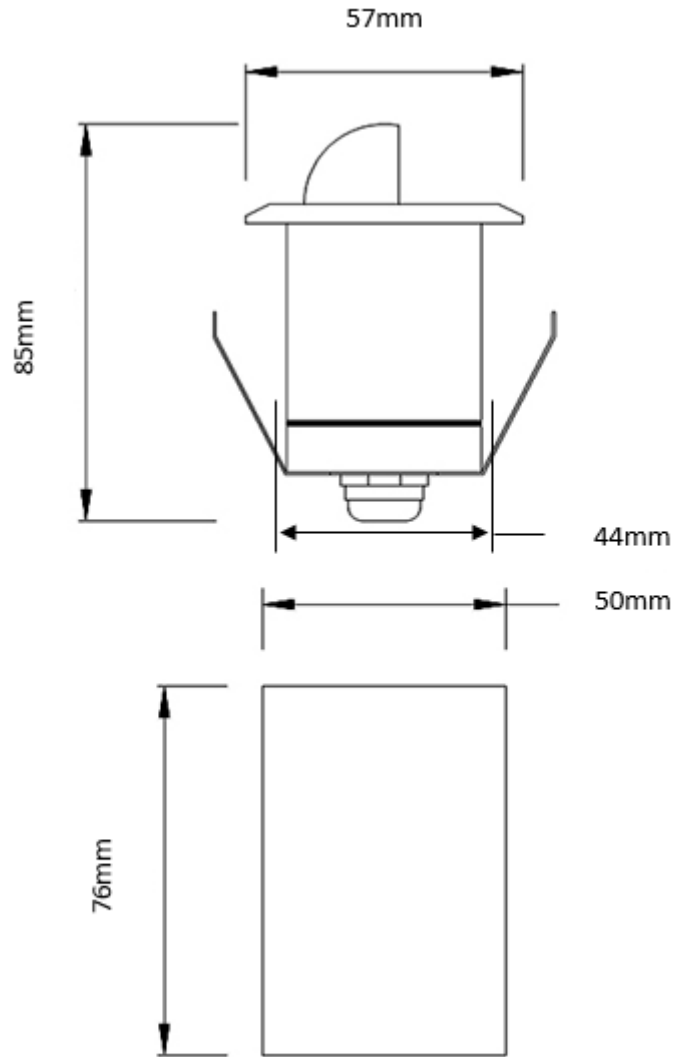
Ensure mains supply is isolated prior to installation of this product.

Refer to the instruction manual for further guidance.

Note – This product must be installed by a qualified electrician.

Part code	EG3261R
Diffuser	Frosted
Dimensions (mm)	85x57
Cutout dimensions (mm)	With sleeve – 51 Without sleeve - 44
Cable length (mm)	1500
Construction	Solid Brass
Finish	Antique Bronze
Class	Class III
IP rating	IP67
Maximum wattage	3W
Lamp base	MR11
Lamp included	No
Dimmable	Dependent on lamp
Input voltage	12V DC
Net weight (g)	321
Gross weight (Kg)	410
Warranty	3 Years
Manufactured in accordance with	BS EN 60598
Origin of manufacture	PRC





3 YEAR WARRANTY

Exclusions: Damage by machinery, animals or the use of incorrect cleaning materials. Corrosion due to exposure to salt or chlorine. Damage due to incorrect installation practices. Responsibility for 3rd party cost; indirect or consequential loss.